

JB Jointing Supplies



Products - Consultancy - Installations - Testing - Commissioning

HELPING YOU CONNECT THE FUTURE!



2019.01
Catalogue





Stainless Steel Ties



JB Jointing Supplies – 100+ yrs Collective HV experience. Setting the standards higher for cable accessories, Helping you connect the future!



304 Stainless steel

Stainless Steel Ties 304 manufactured to AS standards - AS3000.

Stainless Solar Clips

- ✓ Quality IEC Products
- ✓ 5yr Product Warranty
- ✓ Experienced Consultancy
- ✓ Prompt Service
- ⚡ 3rd Generation in the HV Industry
- ✓ Smooth Installations
- ✓ Certified Testing
- ✓ Professional Commissioning
- ✓ Competitive Prices
- ⚡ 100+ Yrs Collective HV Experience

90° Stainless Steel Cable Clips



JBJS stainless solar clips are manufactured to AS standards - AS3000.

The 90° cable clips are made of corrosion-resistant 304 stainless steel, which makes for a durable, long-lasting and reliable solution in all environments. The coined edges are designed to help protect cable insulation from damage. The module wire management clips are easy to install and fits onto a wide range of module frames. Clips can be installed perpendicular on the module frame/rail edge.

Suitable range for cables:

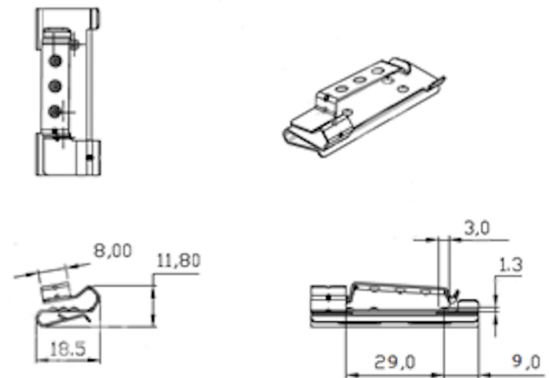
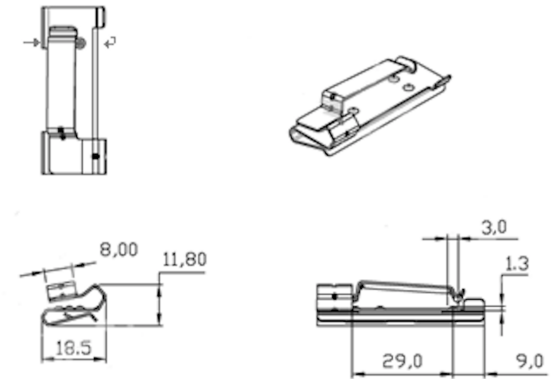
4x4mm²/4x6mm²/2x10mm²/2x4mm²+2x6mm²/2x4mm²+2x10mm²

Diameter of cables: 5.6mm-8.3mm

Compatible on modules with a flange thickness range: 1 to 3 mm, best adopted for 1.5mm-2mm

Merits:

- → High quality, long-lasting, labor savings, wire management solution.
- → Superior corrosion-resistant 304 stainless steel
- → Coined edges to help protect cable insulation from damage
- → Installed onto the module frame flange/rail edge





For more information please call.

+61 447 744 713
Jonathan Viney
JBJS - Director

Confidential & Proprietary. Do not reproduce or distribute.

JB Jointing Supplies Pty Ltd. Head Office, Brisbane, Australia. Location: U6/54 Nealdon Dr,

www.jbjs.com.au