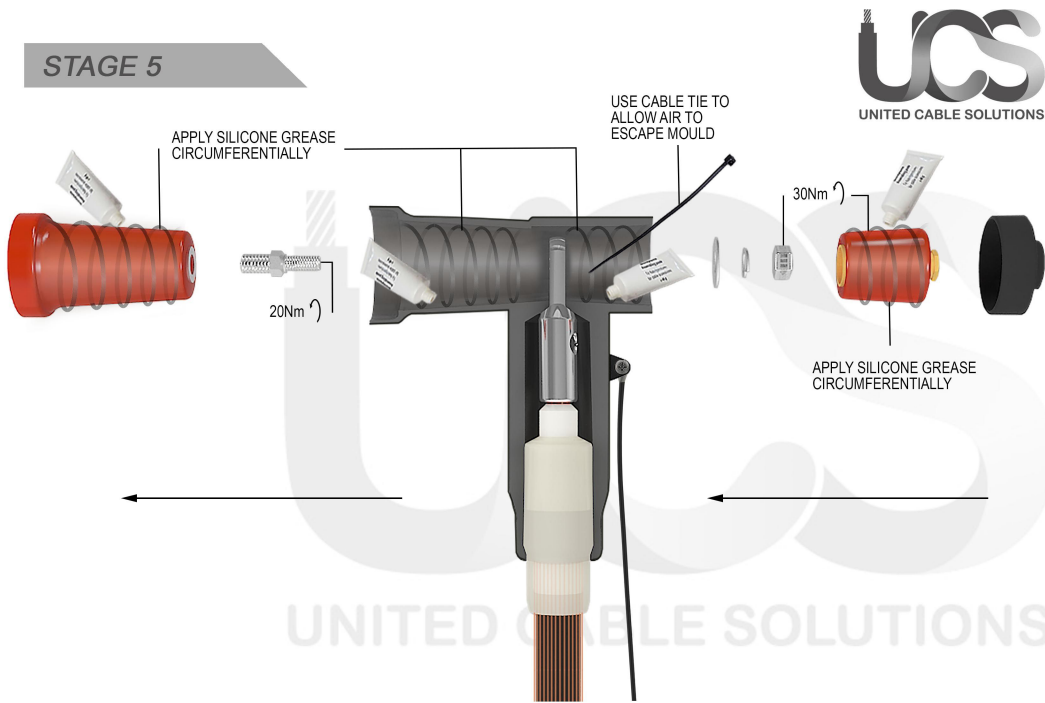


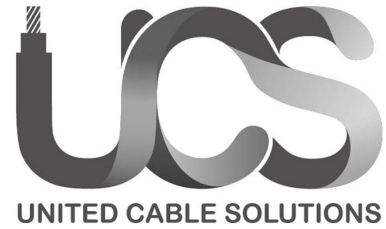
STAGE 5



STAGE 6



HS - UM - 014



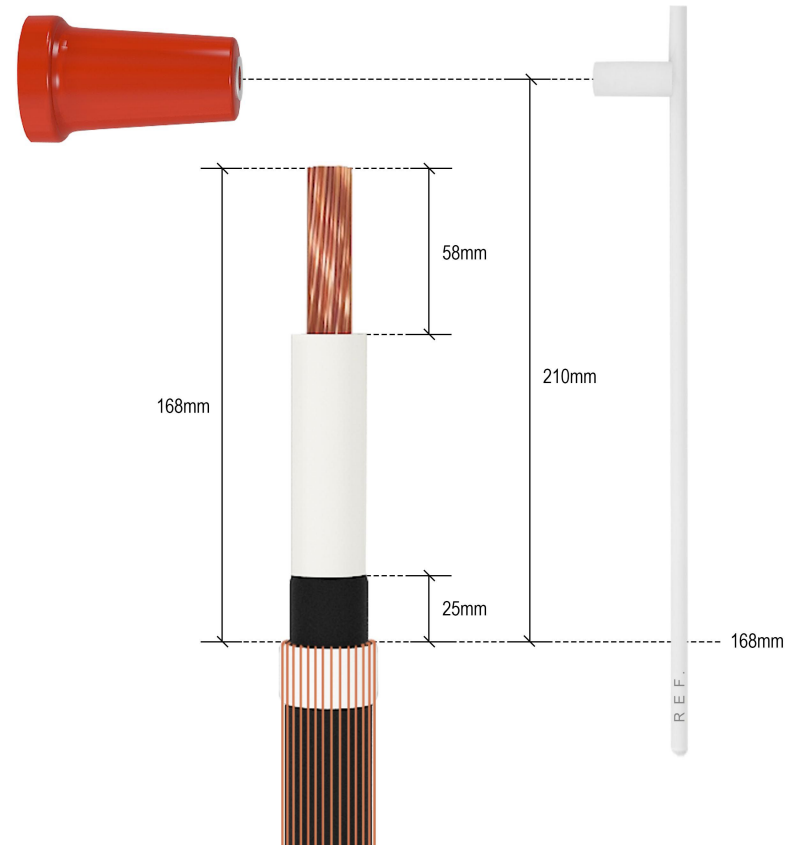
CONTACT
 TECHNICAL ENQUIRES
 JONO@JBJS.COM.AU

12.7/22 KV

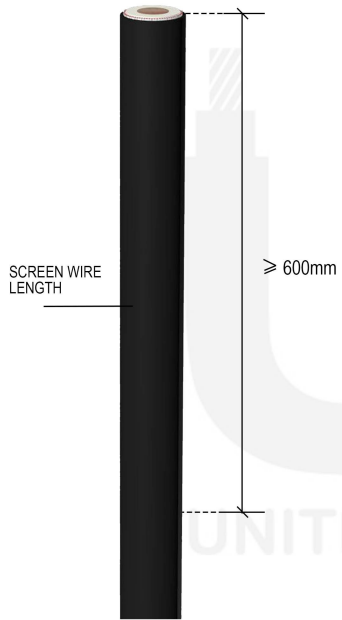
630A

FULLY SCREENED SEPARABLE CONNECTOR
 TERMINATION GUIDE

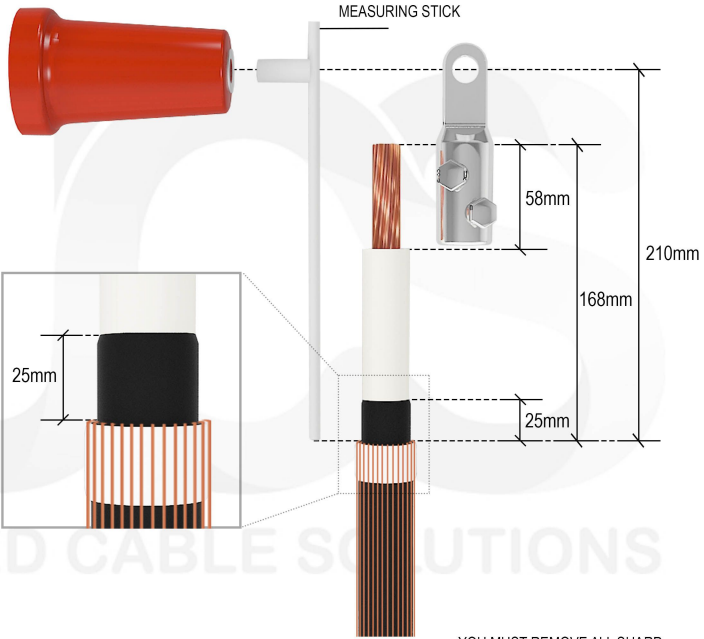
SUMMARY



CABLE PREP



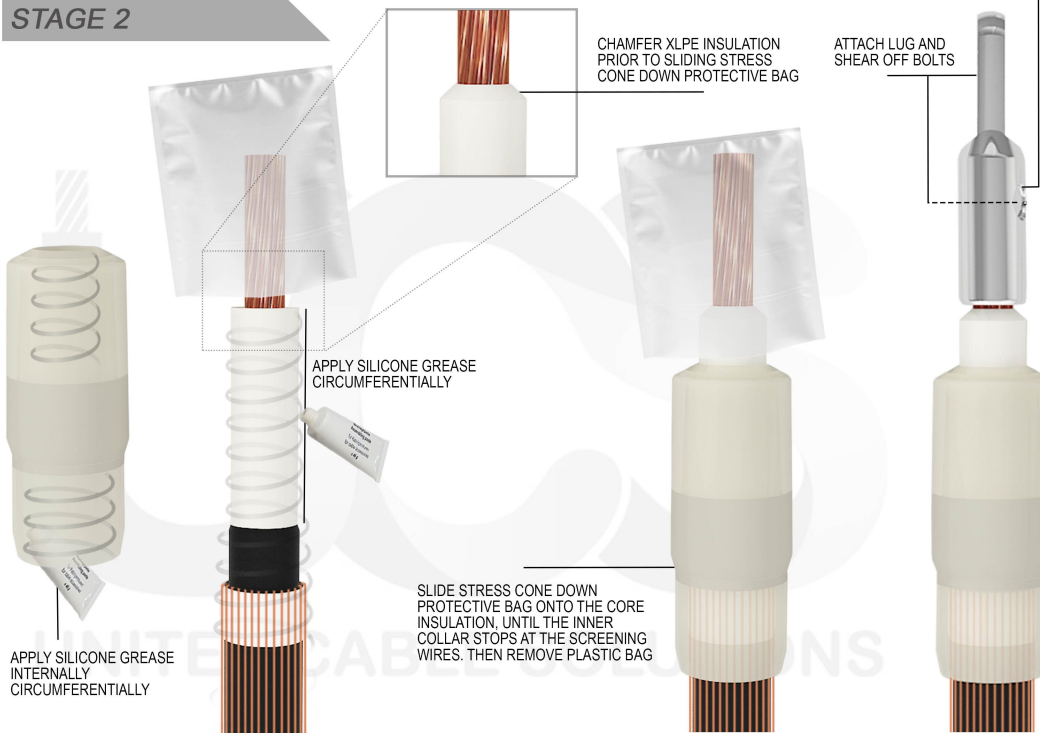
STAGE 1



STAGE 3



STAGE 2



STAGE 4

